

# BILL OF MATERIAL INSTRUCTIONS

A BILL OF MATERIALS WILL HELP YOU KEEP YOUR PARTS ORGANIZED. USE SHEET 2 TO COMPLETE THIS BILL OF MATERIALS  
ALL DIMENSIONS HAVE A  $\pm \frac{1}{32}$ " TOLERANCE

# BILL OF MATERIALS

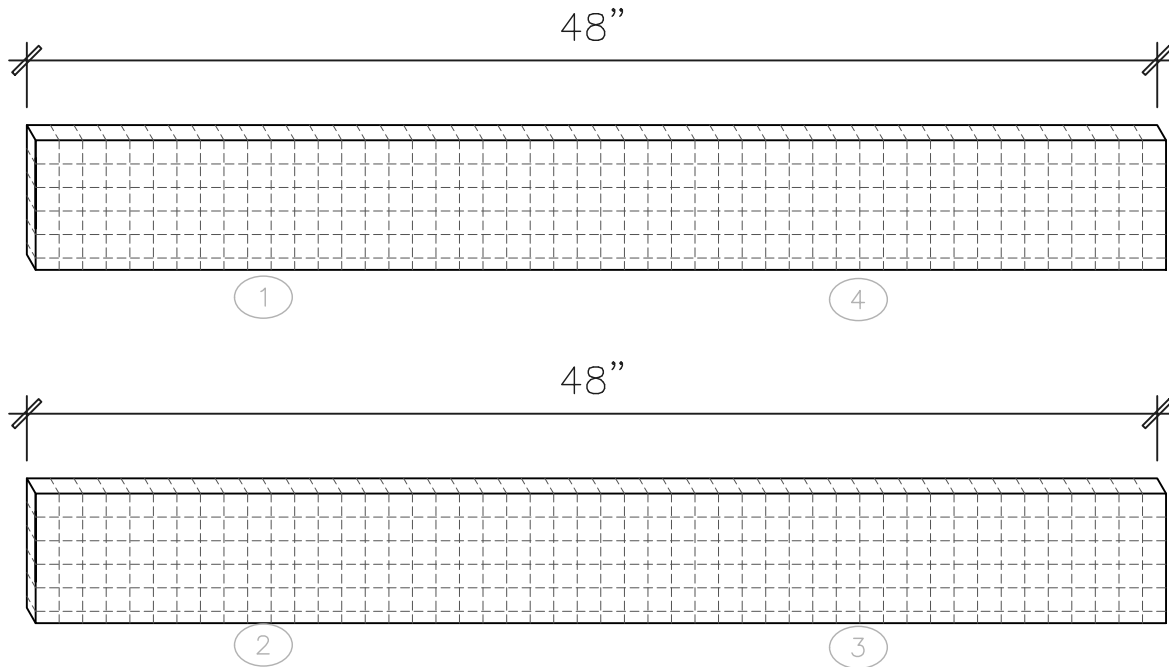
#	QTY	DESCRIPTION	MATERIAL	THICKNESS	WIDTH	LENGTH	NOTES
1	1	LOWER SHELF	Solid Stock	$\frac{3}{4}$ "	5 $\frac{1}{2}$ "		Use finish nails and wood glue to attach
2	1	UPPER SHELF	Solid Stock	$\frac{3}{4}$ "	5 $\frac{1}{2}$ "		Use finish nails and wood glue to attach
3	1	DIAGONAL	Solid Stock	$\frac{3}{4}$ "	5 $\frac{1}{2}$ "		Use finish nails and wood glue to attach
4	1	VERTICAL	Solid Stock	$\frac{3}{4}$ "	5 $\frac{1}{2}$ "		Use finish nails and wood glue to attach

## MATERIAL LAYOUT INSTRUCTIONS

Once you've completed your Bill of Materials, lay out your parts on the corresponding material by drawing lines vertically and horizontally.

Part Numbers 1 and 4 should come from the first piece  
Part Numbers 2 and 3 should come from the second piece

Note: Each square is scaled to a 1" square.



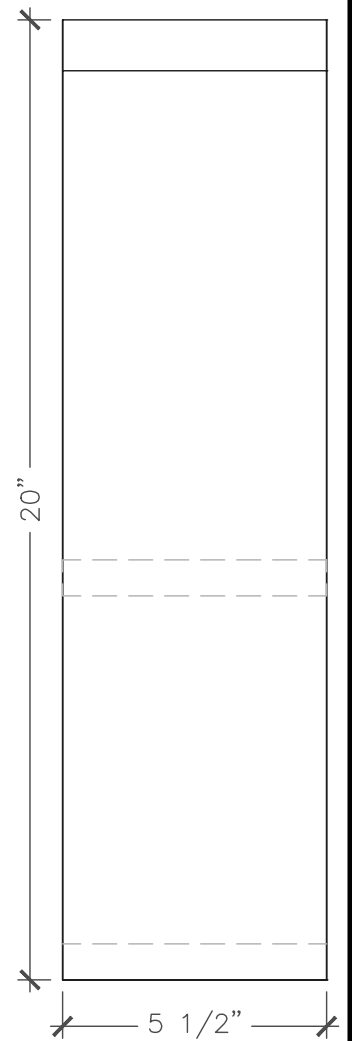
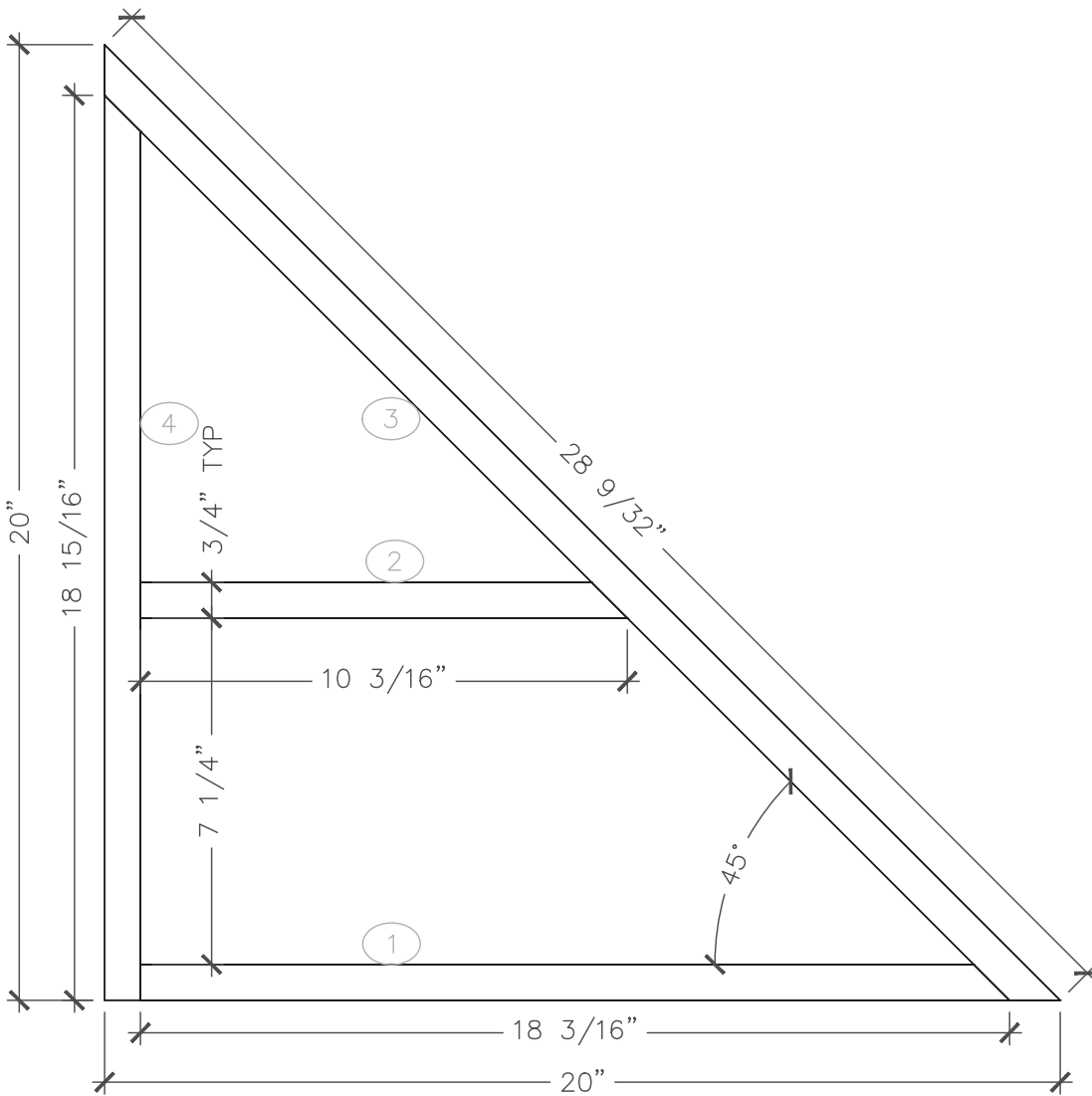
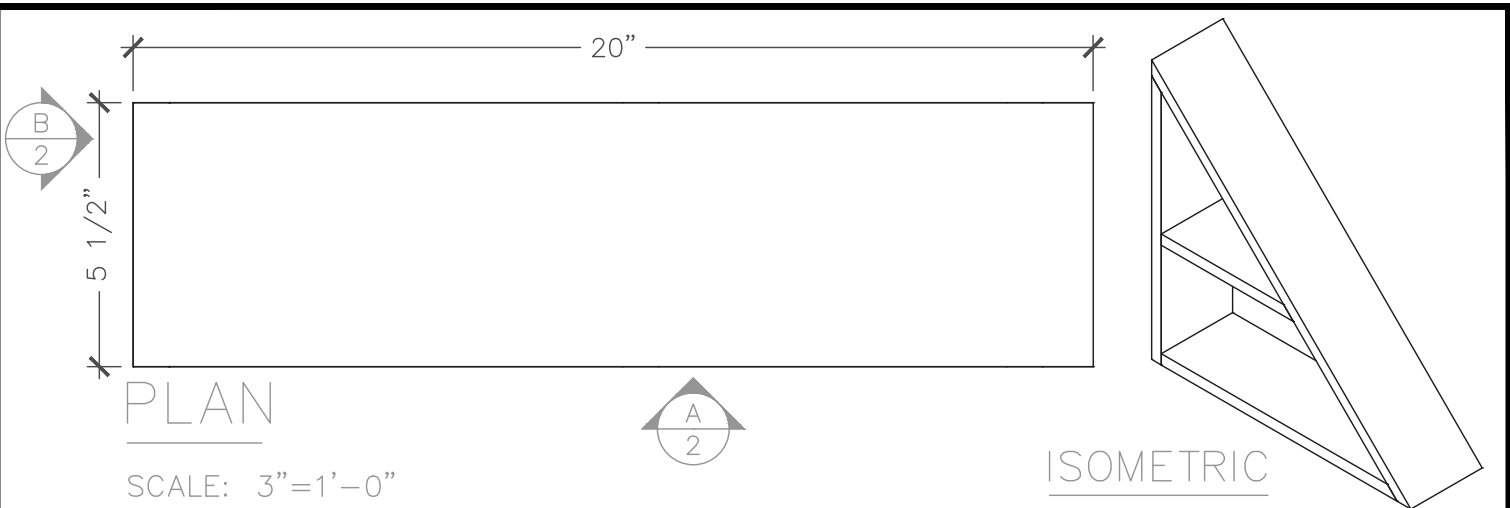
SkillsUSA

CALIFORNIA  
REGIONAL CONTEST

CABINETMAKING

BILL OF MATERIALS  
AND MATERIAL LAYOUT

DATE: 2021	JOB #: CM21
DRAWN BY: AK	SCALE: NTS
DWG. NO. 1	



**SkillsUSA**  
CALIFORNIA  
REGIONAL CONTEST

CABINETMAKING  
TRIANGLE SHELF

DATE: 2021	JOB #: CM21
DRAWN BY: AK	SCALE: NTS
DWG. NO. 2	