

BILL OF MATERIAL INSTRUCTIONS

A BILL OF MATERIALS WILL HELP YOU KEEP YOUR PARTS ORGANIZED. USE SHEET 2 TO COMPLETE THIS BILL OF MATERIALS
ALL DIMENSIONS HAVE A $\pm \frac{1}{32}$ " TOLERANCE

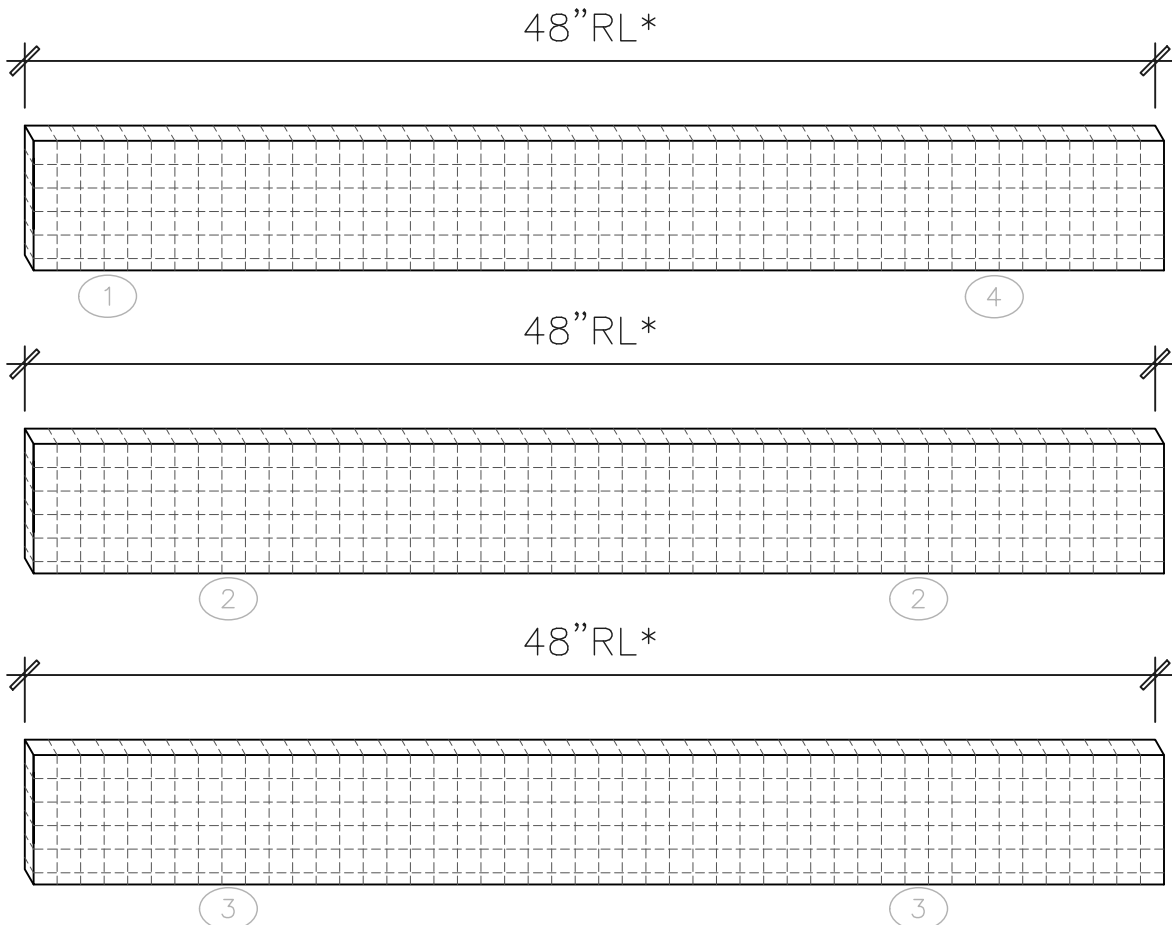
BILL OF MATERIALS

#	QTY	DESCRIPTION	MATERIAL	THICKNESS	WIDTH	LENGTH	NOTES
1	1	HANDLE	Solid Stock	$\frac{3}{4}$ "	$5 \frac{7}{16} \pm$		Use screws and wood glue to attach
2	2	ENDS	Solid Stock	$\frac{3}{4}$ "	$5 \frac{7}{16} \pm$		Use screws and wood glue to attach
3	2	SIDES	Solid Stock	$\frac{3}{4}$ "	$5 \frac{7}{16} \pm$		Use screws and wood glue to attach
4	1	BOTTOM	Solid Stock	$\frac{3}{4}$ "	$5 \frac{7}{16} \pm$		Use finish nails and wood glue to attach

MATERIAL LAYOUT & INSTRUCTIONS

Once you've completed your Bill of Materials, lay out your parts on the corresponding material by drawing lines vertically, horizontally, and/or diagonally.
*RL = Rough Length

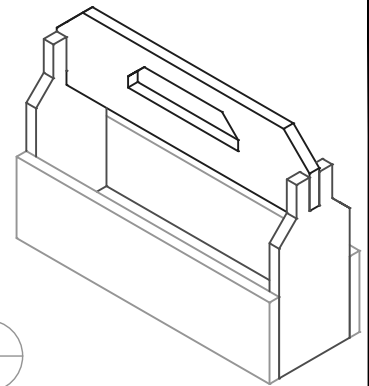
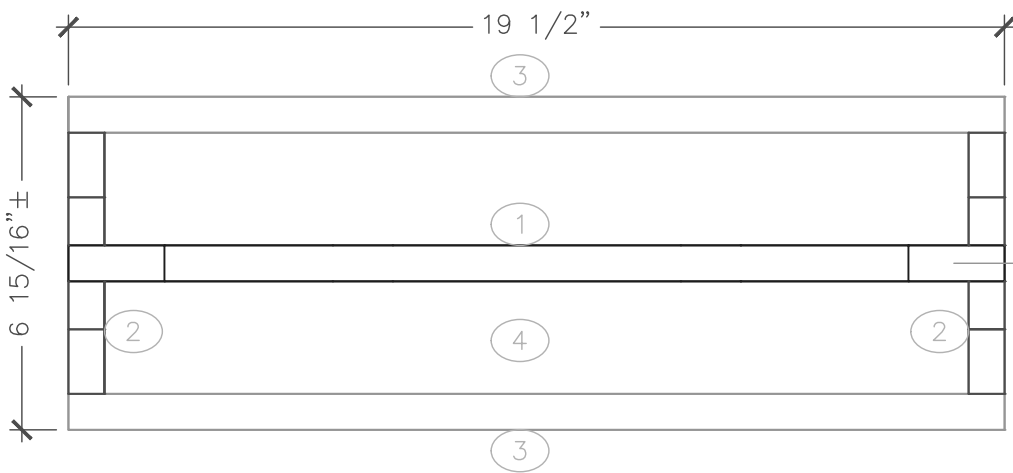
Note: Each square is scaled to a 1" square.



SkillsUSA
CALIFORNIA
STATE CONTEST

INTRODUCTORY WOOD
BILL OF MATERIALS
AND MATERIAL LAYOUT

DATE: 2021	JOB #: IW21
DRAWN BY: AK	SCALE: NTS
DWG. NO. 1	

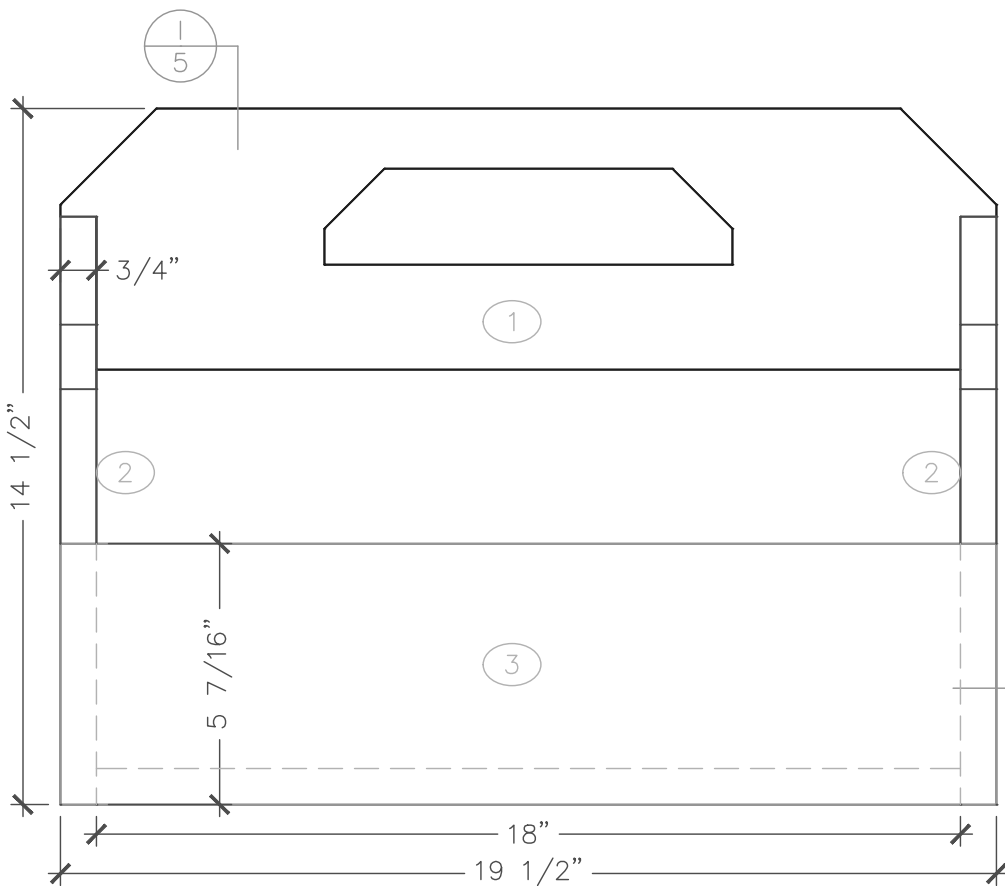


ISOMETRIC

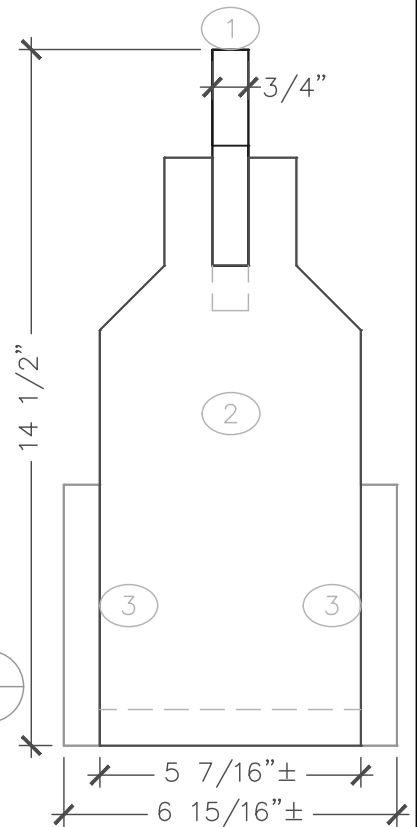
PLAN



SCALE: 3"=1'-0"



A ELEVATION
SCALE: 3"=1'-0"

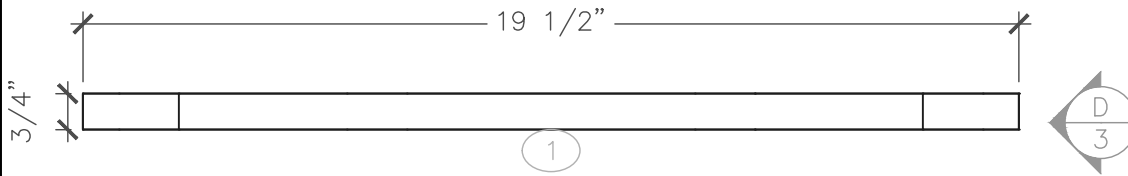


B ELEVATION
SCALE: 3"=1'-0"

SkillsUSA
CALIFORNIA
STATE CONTEST

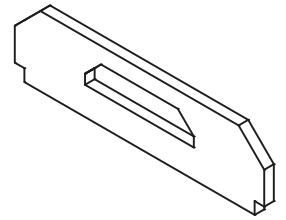
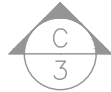
INTRODUCTORY WOOD
TOOL BOX
DRAWING

DATE: 2021	JOB #: IW21
DRAWN BY: AK	SCALE: NTS
DWG. NO. 2	

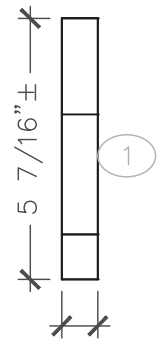
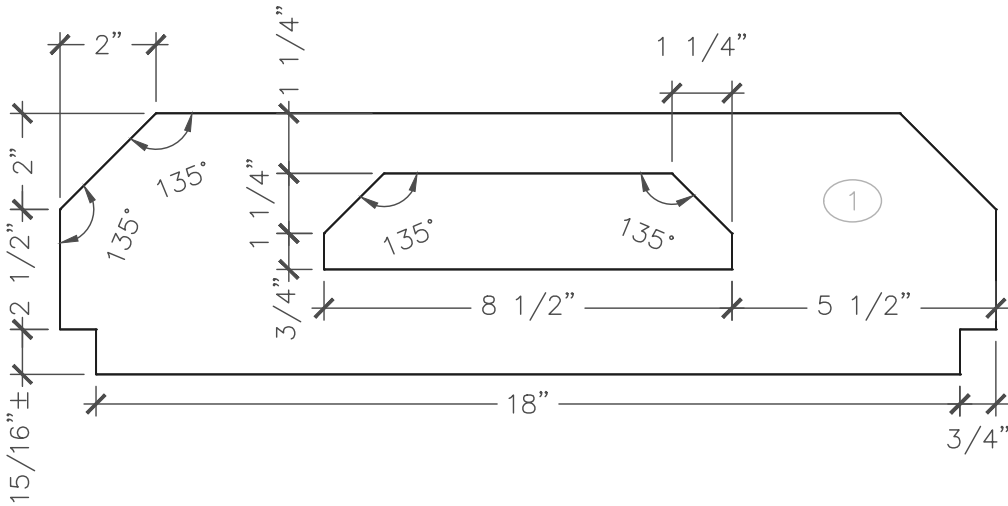


PLAN

SCALE: 3"=1'-0"



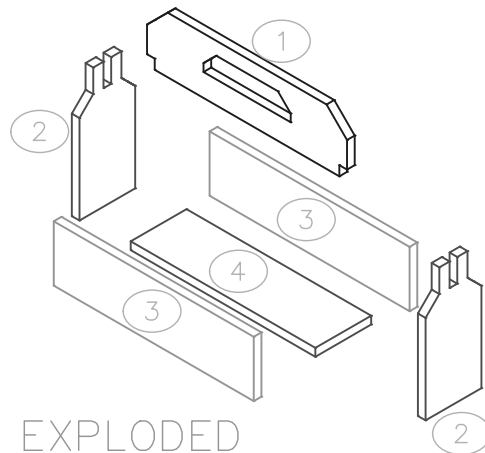
ISOMETRIC



3/4"

C ELEVATION
SCALE: 3"=1'-0"

D ELEVATION
SCALE: 3"=1'-0"

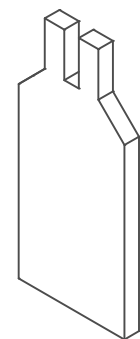


EXPLODED

SkillsUSA
CALIFORNIA
STATE CONTEST

INTRODUCTORY WOOD
TOOL BOX HANDLE
DETAIL

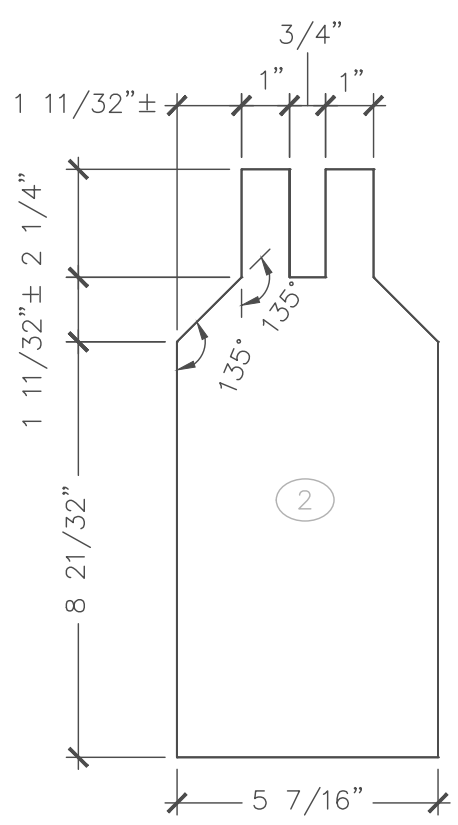
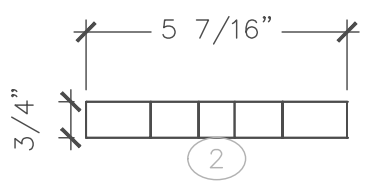
DATE: 2021	JOB #: IW21
DRAWN BY: AK	SCALE: NTS
DWG. NO. 3	



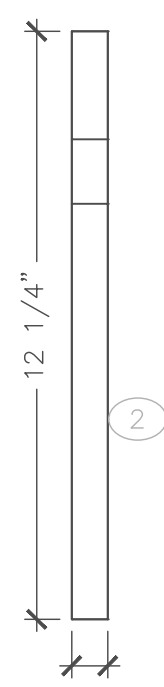
ISOMETRIC

PLAN

SCALE: 3"=1'-0"



E ELEVATION
SCALE: 3"=1'-0"



F ELEVATION
SCALE: 3"=1'-0"

SkillsUSA
CALIFORNIA
STATE CONTEST

INTRODUCTORY WOOD
TOOL BOX END
DETAIL

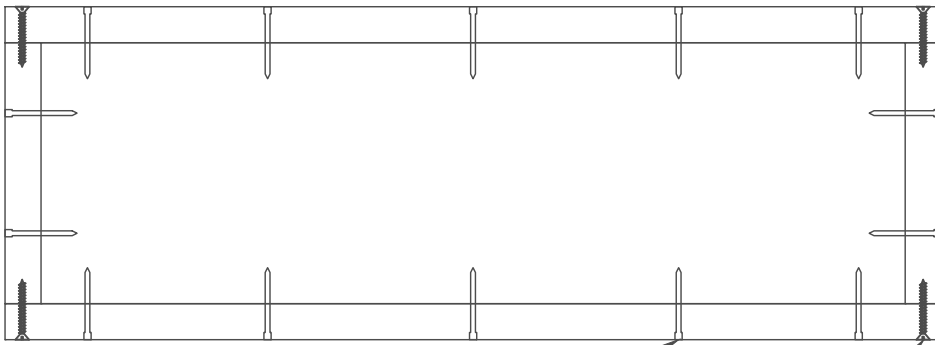
DATE: 2021	JOB #: IW21
DRAWN BY: AK	SCALE: NTS
DWG. NO. 4	

ASSEMBLY INSTRUCTIONS

USE (8) COUNTER SUNK 1-1/4" #8 SCREWS AND GLUE TO ATTACH THE SIDES TO THE ENDS

USE (14) 1-1/2" (4D) FINISH NAILS AND GLUE TO ATTACH THE BOTTOM

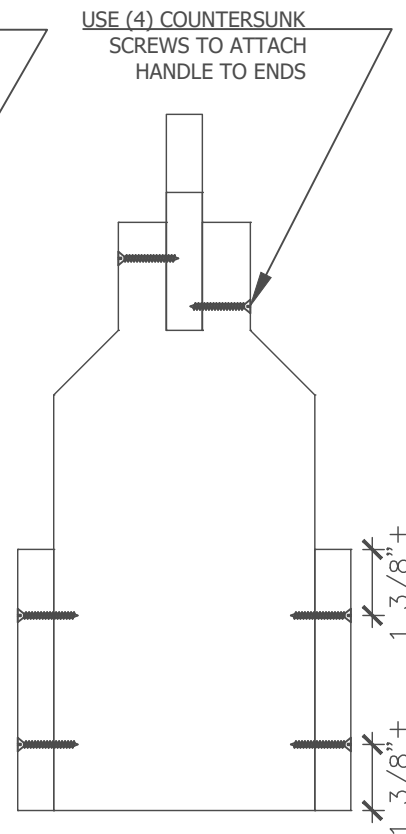
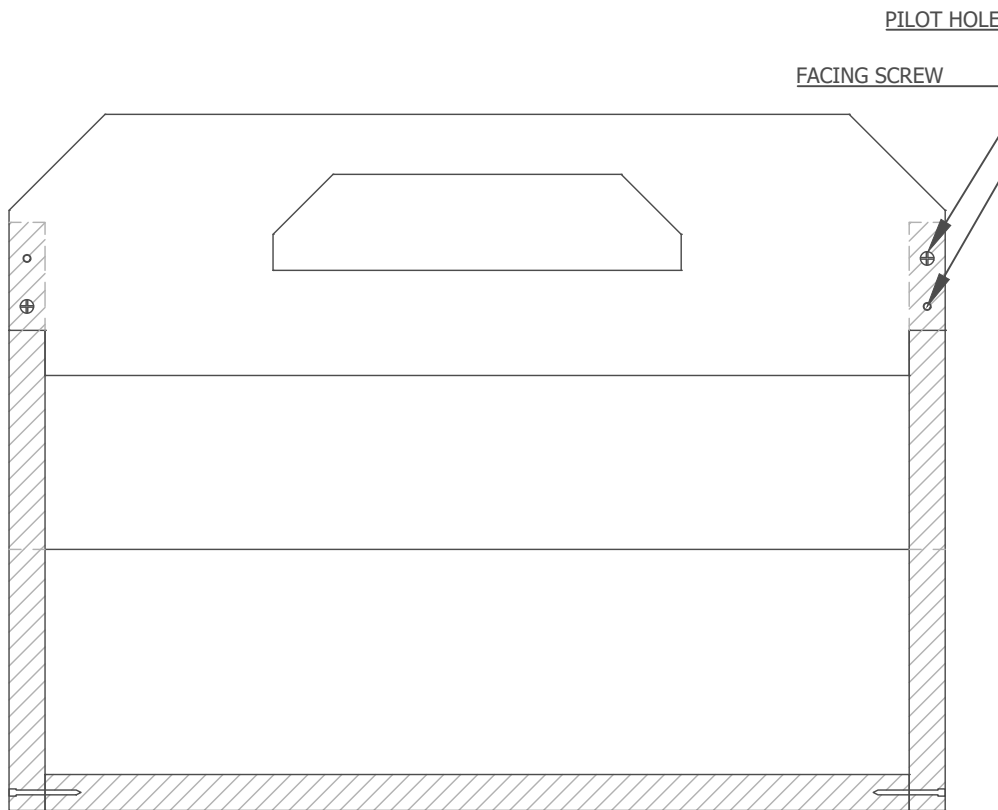
USE (4) COUNTER SUNK 1-1/4" #6 SCREWS AND GLUE TO ATTACH THE HANDLE TO THE ENDS



USE (14) 1-1/2" FINISH NAILS TO ATTACH BOTTOM

USE (8) COUNTERSUNK #8 SCREWS TO ATTACH SIDES TO ENDS

G SECTION
SCALE: 3"=1'-0"



USE (4) COUNTERSUNK SCREWS TO ATTACH HANDLE TO ENDS

H SECTION
SCALE: 3"=1'-0"

I SECTION
SCALE: 3"=1'-0"

SkillsUSA
CALIFORNIA
STATE CONTEST

INTRODUCTORY WOOD
TOOL BOX
ASSEMBLY

DATE: 2021	JOB #: IW21
DRAWN BY: AK	SCALE: NTS
DWG. NO. 5	